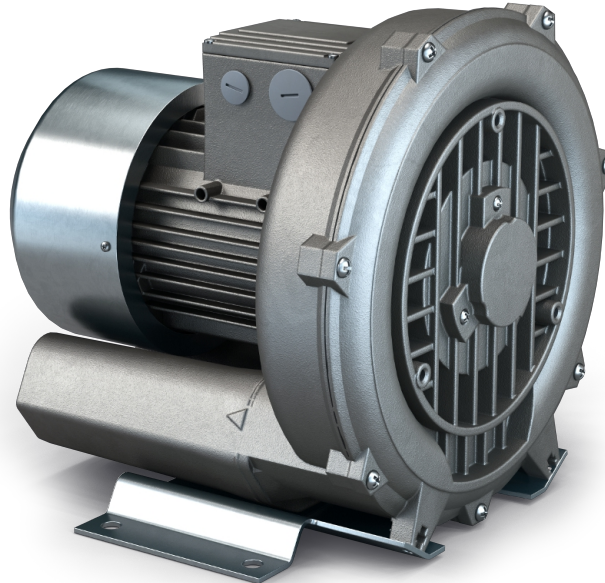


SAMOS SB 0080-0200 D2

Side channel blowers



VACUUM SOLUTIONS



Reliable

Robust construction, effective air cooling, long lifetime, nearly maintenance-free, dry and contact-free operating principle, high differential pressures thanks to two compression stages

Flexible

Vacuum or overpressure operation, horizontal and vertical installation, various design options and ATEX-certified versions available

Quiet

Very low noise level, fully enclosed unit, internal silencers

Accessories

- Vacuum relief valves
- Pressure relief valves
- Additional silencers
- Thermal protection (bimetal switch or PTC-thermistor)

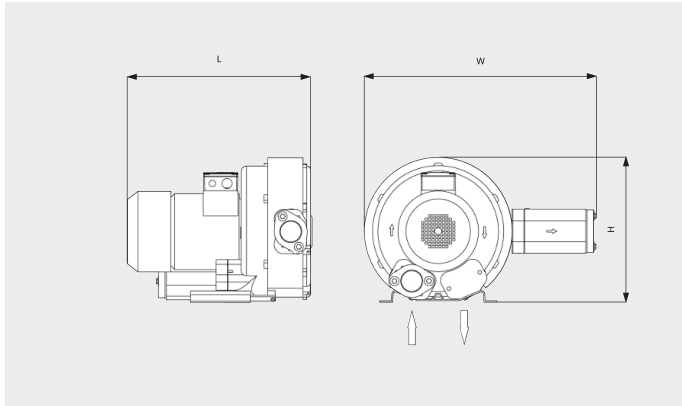
SAMOS SB 0080-0200 D2

Side channel blowers



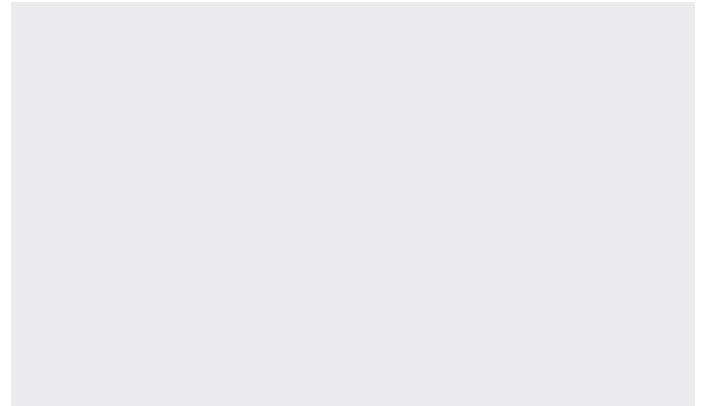
VACUUM SOLUTIONS

Dimensional drawing



Pumping speed/Volume flow

Air at 20°C. Tolerance: ± 10%



	SAMOS SB 0080 D2	SAMOS SB 0140 D2	SAMOS SB 0140 D2	SAMOS SB 0200 D2
Nominal pumping speed/volume flow	60,0 ACFM	105.9 ACFM	105.9 ACFM	158.9 ACFM
Max. differential pressure (vacuum version)	-187.5 TORR	-240 TORR	-262.5 TORR	-285 TORR
Max. differential pressure (overpressure version)	187.5 TORR	232.5 TORR	330 TORR	270 TORR
Nominal motor rating	1.1 HP	2.7 HP	3.4 HP	4,6 HP
Nominal motor speed	3450 RPM	3450 RPM	3450 RPM	3450 RPM
Noise level (ISO 3744)	61 dB(A)	69 dB(A)	69 dB(A)	74 dB(A)
Weight approx.	33 Lbs.	55 Lbs.	59.4 Lbs.	88 Lbs.
Dimensions (L x W x H)	12.4 x 18.7 x 10.6 inches	15.8 x 19.6 x 12.4 inches	15.8 x 19.6 x 12.4 inches	18.3 x 24.3 x 14.6 inches
Gas inlet / outlet	G 1¼" / G 1¼"	G 1¼" / G 1¼"	G 1¼" / G 1¼"	G 2" / G 2"

DO YOU WANT TO KNOW MORE?

Get in touch with us directly!
info@buschusa.com or +1 757 463 7800



CONTACT FORM



CALL NOW